



PPP-V, PPP-V/PI, PPP-V/GO preSelect MAX

TOP HUNG AND PIVOT WOODEN ROOF WINDOW

I. APPLICATION

	Top hung and pivot window
	Suitable for roofs with pitches between 15-55°/55-85°

II. FEATURES

	Sash opening angle: 45 degrees
	Multi-chamber in white (RAL 9010)
	TopSafe system
	V35 diffuser
	Quadruple sealing system
	Warm TGI spacer in glazing units
	Elegant white handle
	Installation at height N, V



III. ADDITIONAL PRODUCTS USED WITH WINDOWS

Flashings	
	standard
	special
	combination
Flashings	
	manual
	electric
Mounting accessories	
	lining
	auxiliary rafters
	bands
	frame extensions
External accessories	
	awning blinds
	roller shutters
Internal accessories	
	blackout blinds
	roller blinds
	standard roller shutters
	awning blinds
	pleated blinds
Other accessories	
	insect screen

IV. OPTIONS

	The external flashing can be painted in any color from the RAL palette or made of another sheet (CU, TC)
	Window with a mullion bar
	Non-standard glazing unit from FAKRO range

V. DECLARATION OF PERFORMANCE

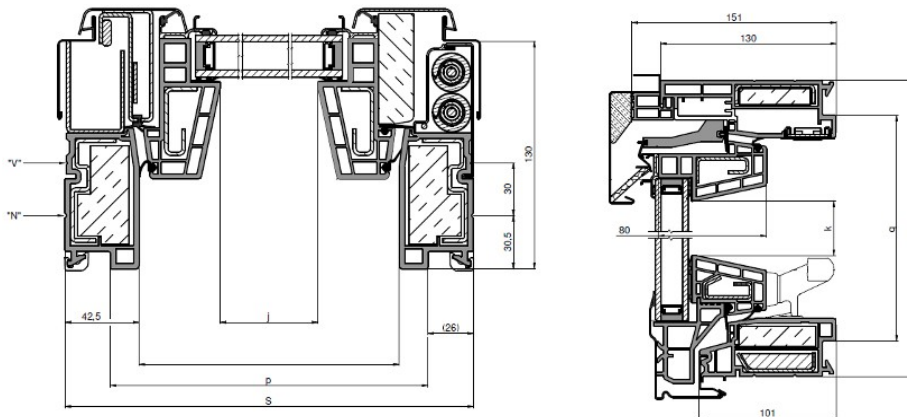
Harmonized standard	EN 14351-1:2006+A2:2016
Declaration of Performance No.	XXX/CPR/14351/xx Individual numbers of Declaration of Performance are to be found in the table with technical parameters

VI. TECHNICAL PARAMETERS

Technical parameters	Glazing unit type									
	U3	P2	U4/T4	L4	U5	U5+E_AT Thermo	P5	P5+E_AT Thermo	R1	
- window heat transfer coefficient Uw [W/m²K]	1.3	1.3	1.2	1.2	1.1		1.1	1.1	1.3	
- glazing heat transfer coefficient Ug [W/m²K]	1.0	1.0	0.5	0.5	0.5	0.5	0.5	0.5	1.0	
- window acoustic performance Rw [dB]	33 (-2;-5)	34 (0;-3)	33 (-1;-5)	37 (-1;-4)	32 (-1;-4)	32 (-1;-4)	36 (-1;-4)	36 (-1;-4)	npd	
- air inlet maximum efficiency [m³/m²]	up to 41									
- air permeability class	3									
- light transmittance τv	0.76	0.75	0.68	0.68	0.73	0.73	0.68	0.68	0.75	
- solar factor [g]	0.53	0.52	0.46	0.46	0.53	0.53	0.48	0.48	0.51	
- UV permeability	0.26	0.01	0.28	0.28	0.28	0.28	0.01	0.01	0.01	
- frame thermal insulation Uf [W/m²K]	npd	npd	npd	npd	npd	npd	npd	npd	npd	
- thermal insulation of window frame connection with glazing ψ (psi) [W/mK]	npd	npd	npd	npd	npd	npd	npd	npd	npd	
- Declaration of Performance No.	Q125/CPR/14351/xx	Q125/CPR/14351/xx	Q129/CPR/14351/xx	Q129/CPR/14351/xx	Q131/CPR/14351/xx	Q131/CPR/14351/xx	Q131/CPR/14351/xx	Q131/CPR/14351/xx	Q128/CPR/14351/xx	Q128/CPR/14351/xx

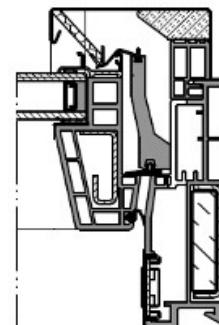
VII. DETAILED DIMENSIONS OF PPP-V preSelect MAX WINDOWS

Window size	Size symbol	Frame external size		Distance between lining grooves		Glazing area		Glazing visible area
		S	x L	p	q	j	k	j * k
[cm]		[mm]						[m ²]
55 x 98	02	547	x 970	495	918	369	791	0,29
66 x 98	03	657	x 970	605	918	479	791	0,38
66 x 118	04	657	x 1170	605	1118	479	991	0,47
78 x 98	05	777	x 970	725	918	599	791	0,47
78 x 118	06	777	x 1170	725	1118	599	991	0,59
78 x 140	07	777	x 1390	725	1338	599	1211	0,73
94 x 118	08	937	x 1170	885	1118	759	991	0,75
94 x 140	09	937	x 1390	885	1338	759	1211	0,92
114 x 118	10	1137	x 1170	1085	1118	959	991	0,95
114 x 140	11	1137	x 1390	1085	1338	959	1211	1,16
134 x 98	12	1337	x 970	1285	918	1159	791	0,92
78 x 160	13	777	x 1591	725	1539	599	1412	0,85
66 x 140	14	657	x 1390	605	1338	479	1211	0,58
94 x 98	15	937	x 970	885	918	759	791	0,60
55 x 118	16	547	x 1170	495	1118	369	991	0,37
134 x 140	17	1337	x 1390	1285	1338	1159	1211	1,40
134 x 118	18	1337	x 1170	1285	1118	1159	991	1,15
114 x 98	20	1137	x 970	1085	918	959	791	0,76
94 x 160	80	937	x 1591	885	1539	759	1412	1,07



VIII. CAPACITY OF V40P AIR INLET

		Window width [cm]					
		55/..	66/..	78/..	94/..	114/..	134/..
Pressure difference [Pa]							
1	[m ³ /h]	4,16	6,08	7,58	8,04	12,12	12,12
	[l/s]	1,16	1,69	2,11	2,23	3,37	3,37
2	[m ³ /h]	6,19	8,77	11,16	11,96	17,7	17,7
	[l/s]	1,72	2,44	3,1	3,32	4,92	4,92
10	[m ³ /h]	15,05	20,59	25,32	27,55	40,97	40,97
	[l/s]	4,18	5,72	7,03	7,65	11,38	11,38
20	[m ³ /h]	21,16	29,24	36,71	39,33	59,59	59,59
	[l/s]	5,88	8,12	10,2	10,92	16,55	16,55



* the smallest cross-sectional area of the air inlet channel